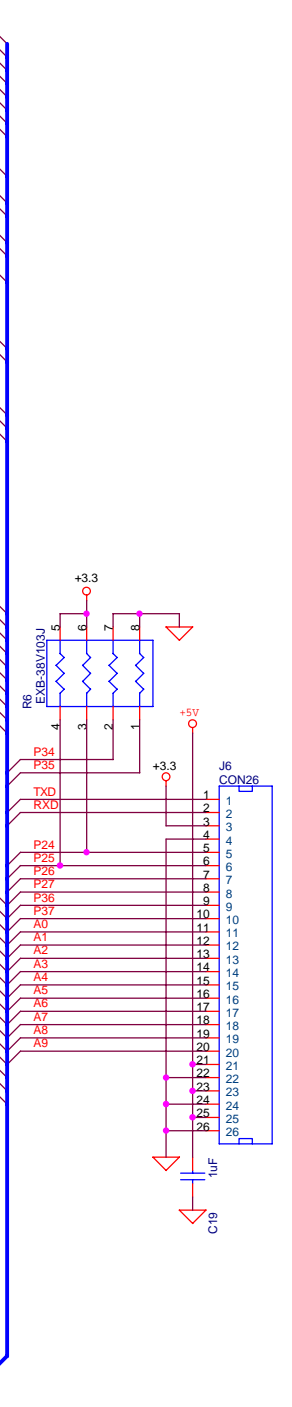
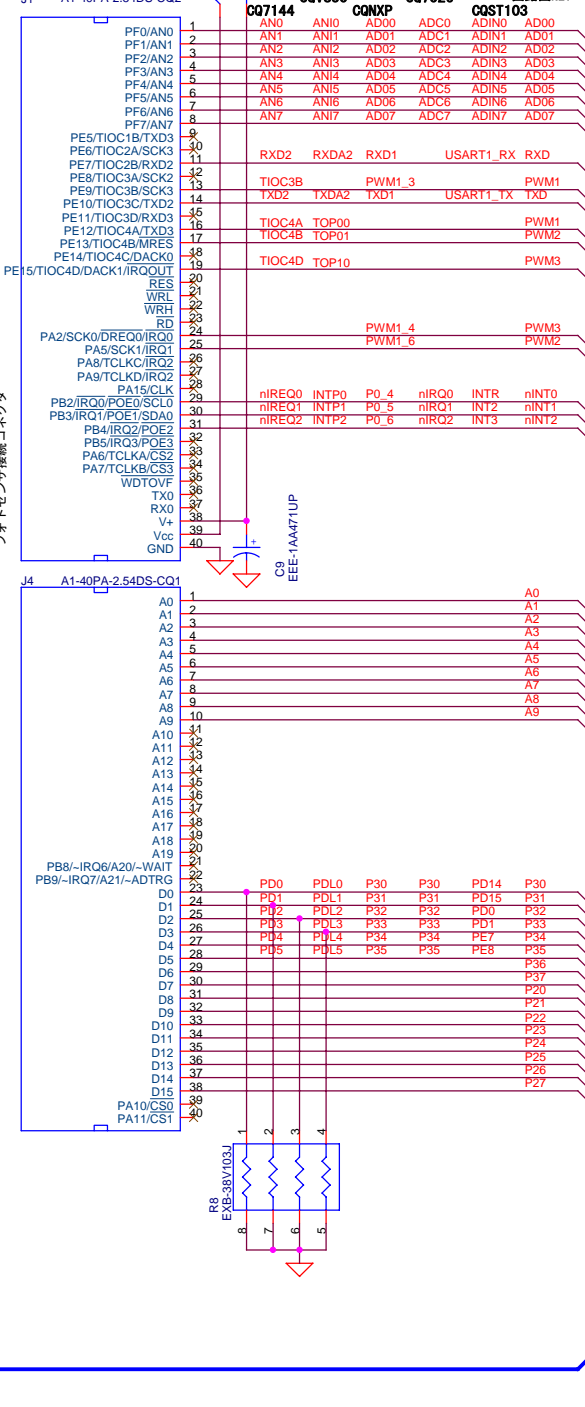
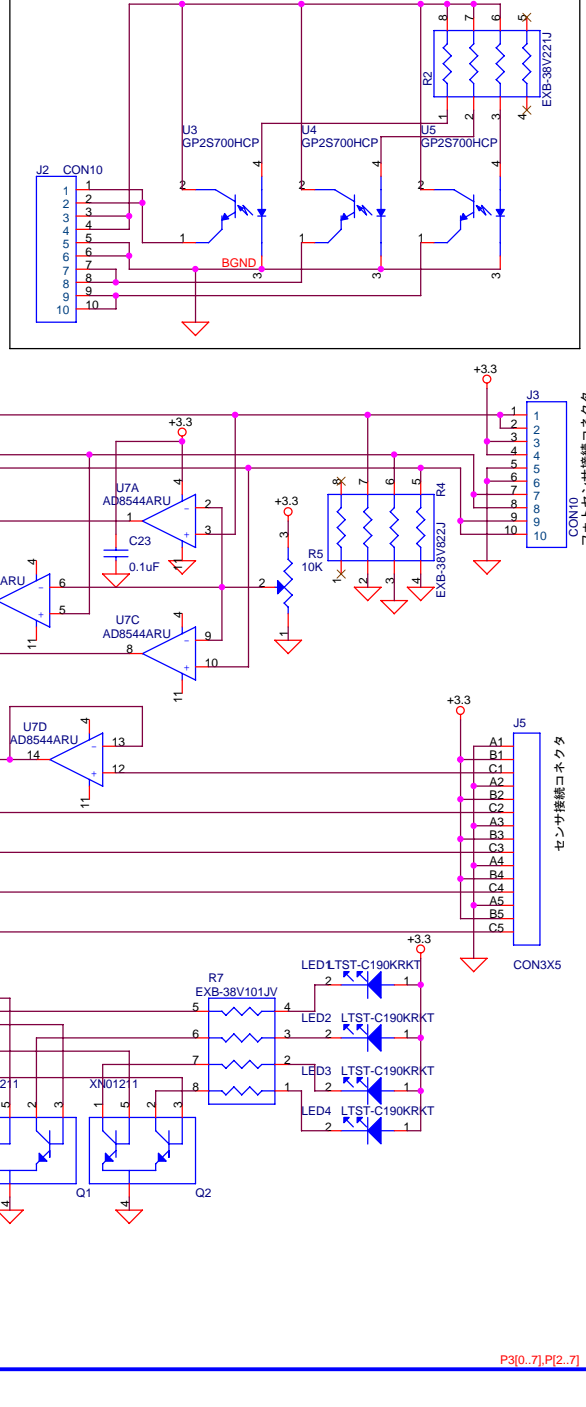
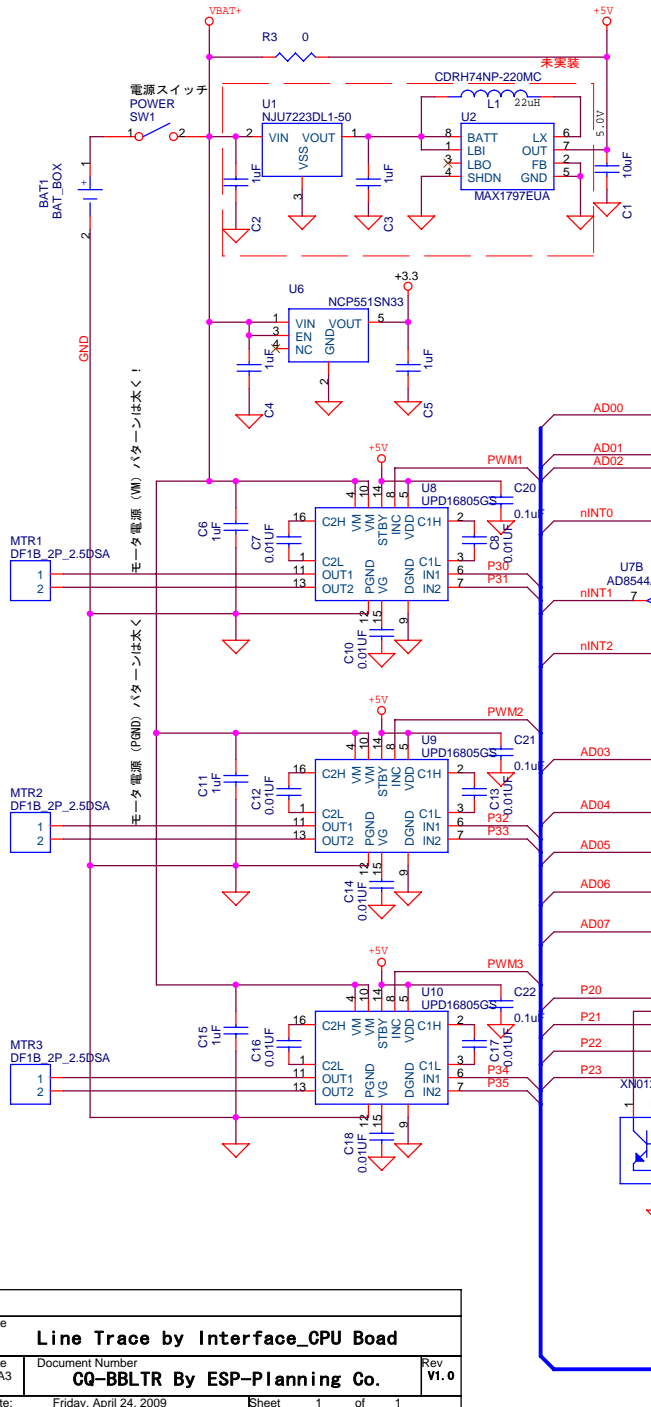


CQBB-LTR-M メイン基板

CQBB-LTR-S センサ基板



Title		
Line Trace by Interface_CPU Board		
Size	Document Number	Rev
A3	CQ-BBLTR By ESP-Planning Co.	V1.0
Date:	Friday, April 24, 2009	Sheet 1 of 1

P3[0..7],P[2..7]